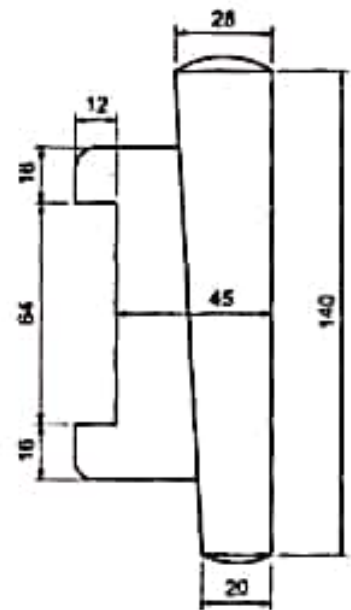
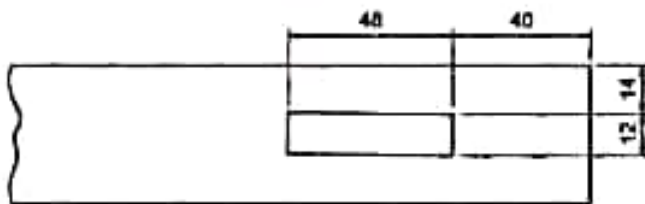


1. Fork



2. Square Rod



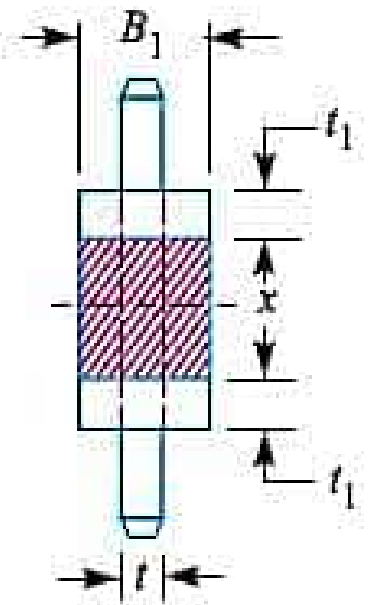
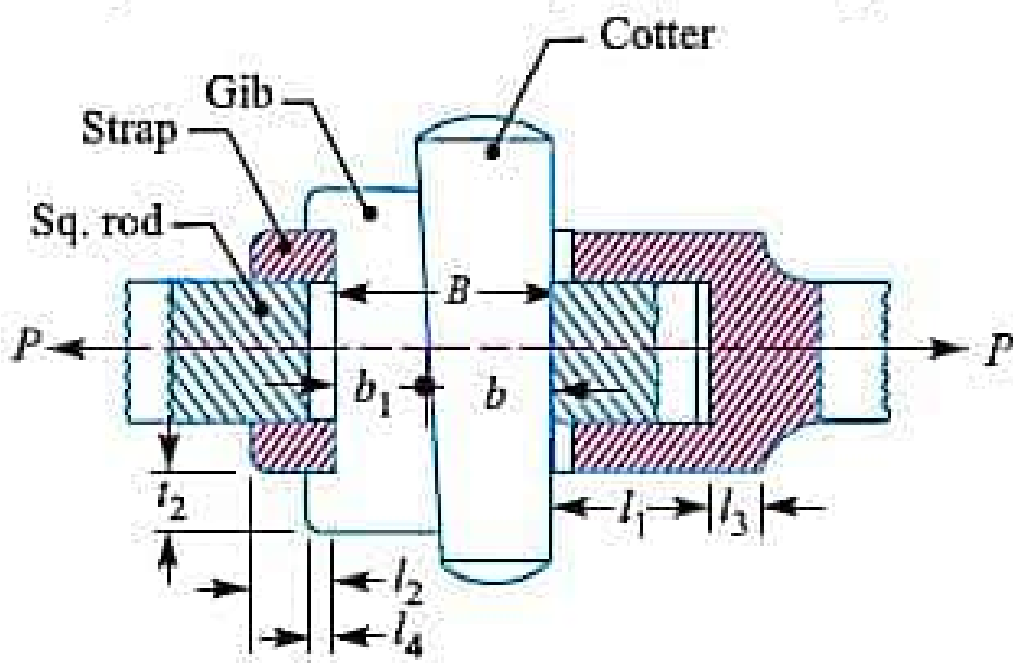
3. Gib & Cotter

Bill Of Materials			
Sl no	Description	Material	Qty
1	Fork	MS	1
2	Square rod	MS	1
3	Gib & Cotter	Steel	1 each

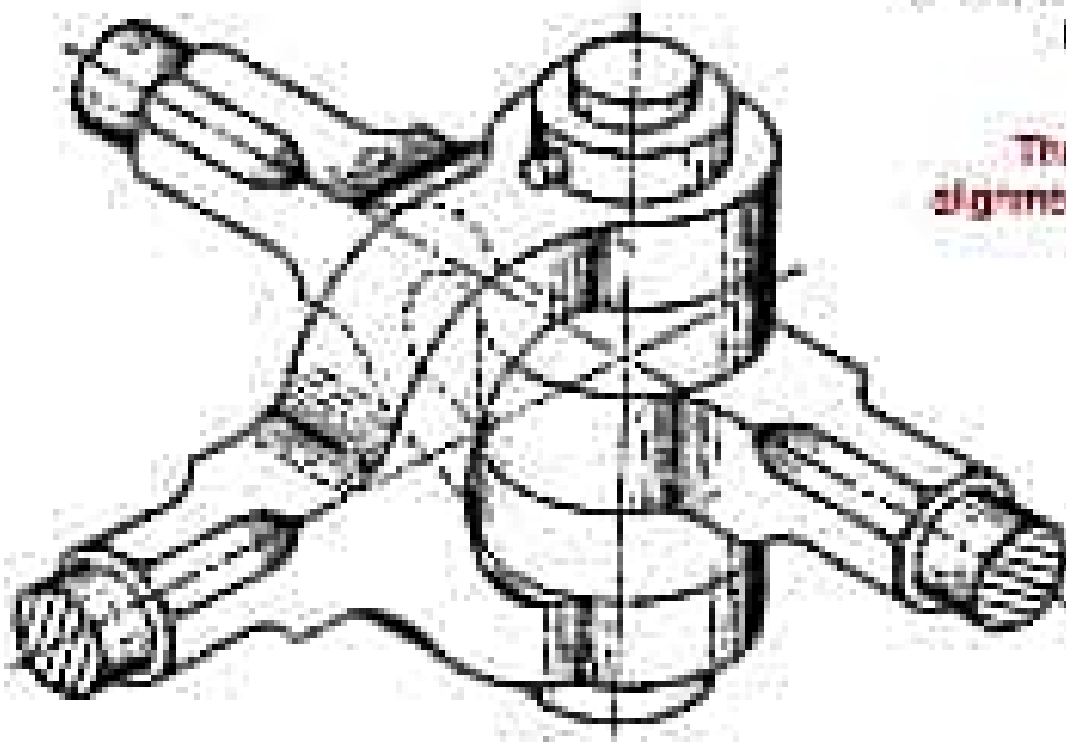
ALL DIMENSIONS ARE IN "MM"

www.vidyarthiplus.com

www.vidyarthiplus.com



Knuckle joint



Two or more rods subjected to tensile and compressive forces are fastened together

Their axes are not in alignment but meet in a point

The joint allows a small angular movement of one rod relative to another

It can be easily connected and disconnected

Applications: Elevator chains, valve rods, etc

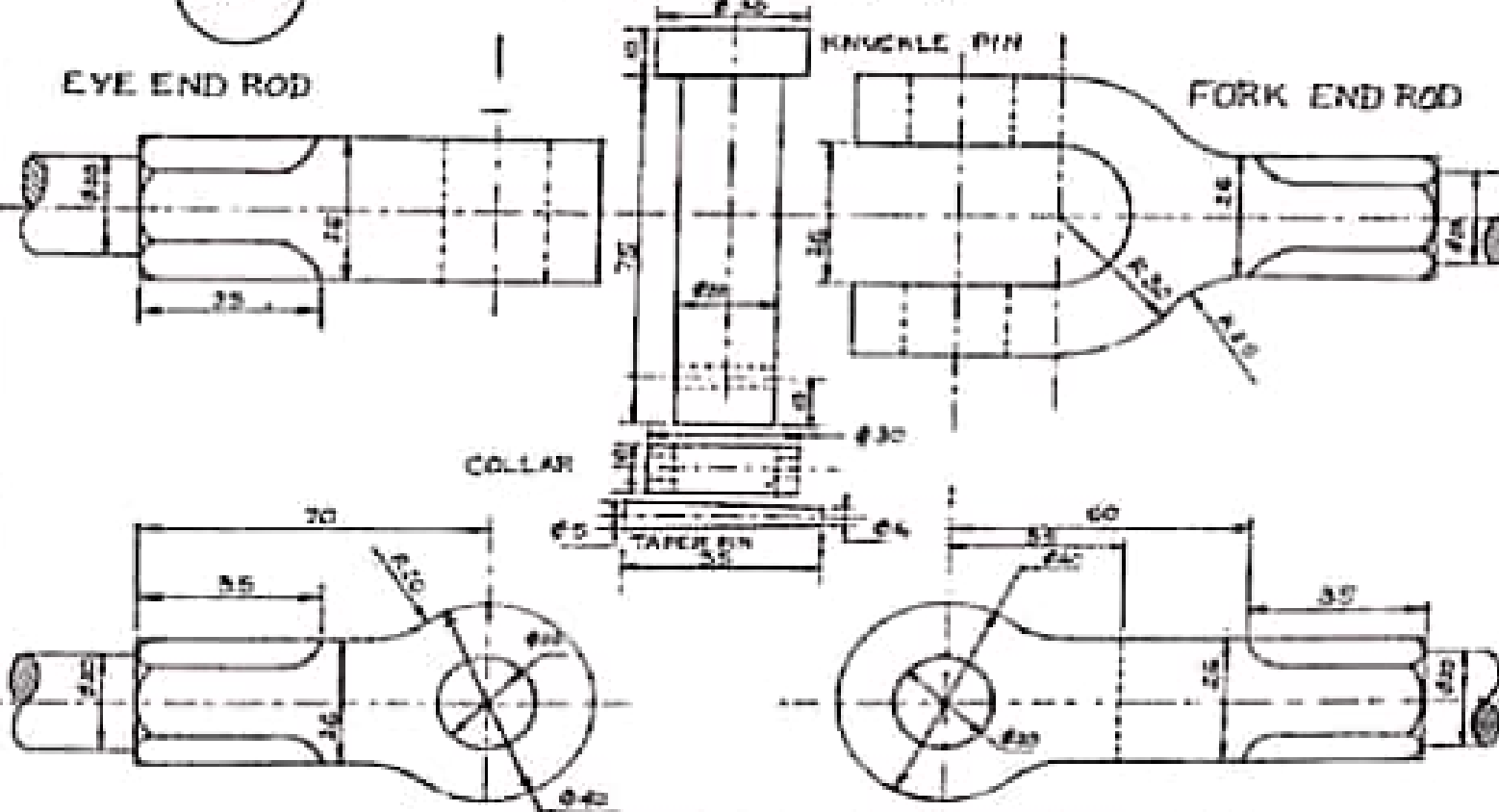
(FIG. 1)

KNUCKLE JOINT

EYE END ROD

KNUCKLE PIN

FORK END ROD



NOTE: FIGURE NOT TO SCALE. USE DIMENSIONS GIVEN.

